



WELDED-STEEL GARAGE STORAGE

Assembly Instructions

TABLE OF CONTENTS

CABINET/LOCKER SAFETY 1
BASE CABINET: ASSEMBLY INSTRUCTIONS 2
TALL STORAGE CABINET: ASSEMBLY INSTRUCTIONS 4
WALL CABINET: ASSEMBLY INSTRUCTIONS 5
FLOOR LOCKING CABINET: ASSEMBLY INSTRUCTIONS 6
WARRANTY 7

Your safety and the safety of others are very important.

We have provided many important safety messages in this manual. Always read all safety messages.



This is the safety alert symbol.

This symbol alerts you to potential hazards that can kill or hurt you and others.

All safety messages will follow the safety alert symbol with the word or "WARNING."

These words mean:

⚠ WARNING

You can be killed or seriously injured if you don't follow instructions.

All safety messages will tell you what the potential hazard is, tell you how to reduce the chance of injury, and tell you what can happen if the instructions are not followed.

BASE CABINET: ASSEMBLY INSTRUCTIONS

Models

GCB-2SF-BB
GCB-2SF-BR
GCB-3DR-BB
GCB-3DR-BR

Tools and Parts

Gather the required tools and parts before starting installation.

Tools Needed:

- $\frac{7}{16}$ " Wrench

Parts Supplied:

- Top mat (1)
- Swivel casters (4)
- $\frac{1}{4}$ " - 20 Self-locking nuts (16)
- $\frac{1}{4}$ " - 20 x $\frac{1}{2}$ " Carriage flat-head bolts (16)
- Handels (2)

Unpack the Cabinet

NOTE: Keep the packing materials to cushion the cabinet during assembly and then dispose of/recycle all packaging materials.

1. Verify contents. See "Parts Supplied."

Install the Casters

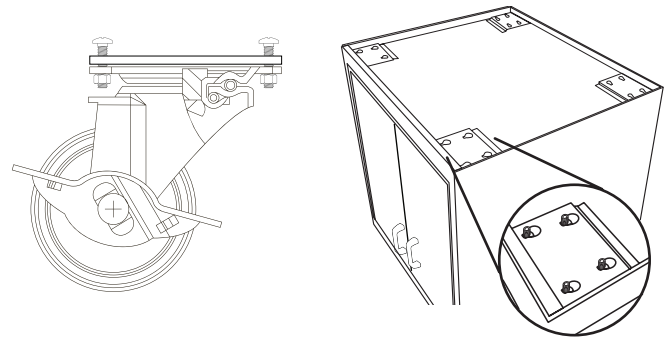
⚠ WARNING

Excessive Weight Hazard

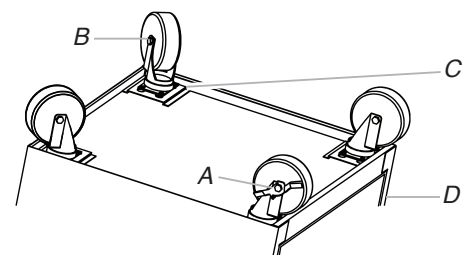
Use two or more people to move, assemble or install cabinet.

Failure to do so can result in back or other injury.

1. If equipped with drawers, push in completely to lock in place.
2. Close the cabinet doors.
3. Using two or more people, turn the cabinet upside down.
4. Preassemble the screw and nut to the caster.
5. Insert the carriage flat-head bolts into the keyhole slots and slide the bolts into place as shown.



6. Position the two brake casters over the bolts in the front cabinet location, with the brakes toward the outside, and start four self-locking nuts for each caster.
7. Hold the casters in place making sure the bolts are seated in the narrow ends of the keyhole slots. Tighten the self-locking nuts with a $\frac{7}{16}$ " wrench.
8. To attach the two swivel casters to the rear caster location, repeat steps 2 and 3.

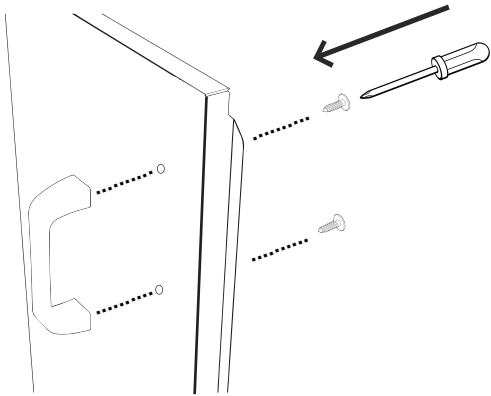


A. Brake caster C. Caster plate
B. Rear caster D. Front of cabinet

9. Return the cabinet to its upright position.
10. Place the top mat with the textured side facing up.

Install the Door Handles

1. Open the doors.
2. Insert Phillips head screws through pre-drilled holes in door.
3. Align door handles with screws and tighten. (*Do not overtighten*)
4. Repeat this procedure for the other door handle.

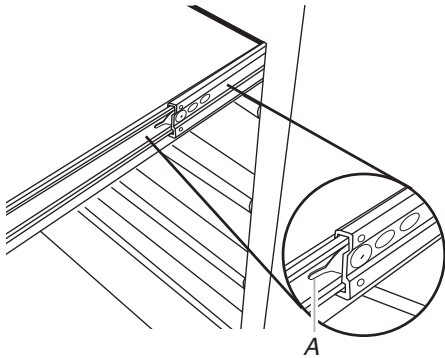


Removing/Installing the Drawers

(select models only)

Removing the Drawer

1. Unload the contents from the drawer.
2. Slide the drawer out as far as it will go.
3. Press the lever down on the right-hand track and lift the lever up on the left track to release the drawer.



A. Lever

Replacing the Drawer

1. Align the drawer guides with the receiving glides.
 2. Hold the receiving glides firmly and insert the drawer guide.
NOTE: It is normal for the convertible tray or drawer to close tightly the first time after it has been removed.
 3. Push the drawer in completely.
-

TALL STORAGE CABINET: ASSEMBLY INSTRUCTIONS

Models

GCTL-4SF-BB

GCTL-4SF-BR

Tools and Parts

Gather the required tools and parts before starting installation.

Tools Needed:

- $\frac{7}{16}$ " Wrench
- Phillips screwdriver

Parts Supplied:

- Swivel casters (4)
- $\frac{1}{4}$ " - 20 Self-locking nuts (16)
- $\frac{1}{4}$ " - 20 x $\frac{1}{2}$ " Carriage flat-head bolts (16)

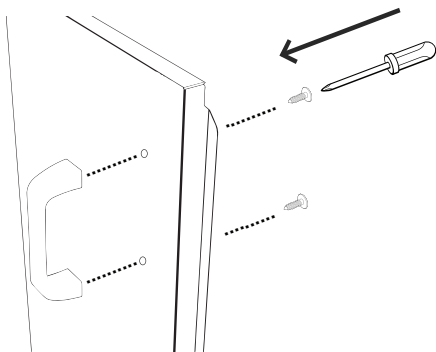
Unpack the Cabinet

NOTE: Keep the packing materials to cushion the cabinet during assembly and then dispose of/recycle all packaging materials.

1. Verify contents. See "Parts Supplied."

Install the Door Handles

1. Open the doors.
2. Insert Phillips head screws through holes in door.
3. Align door handles with screws and tighten. (*Do not overtighten*)
4. Repeat this procedure for the other door handle.



Install the Casters

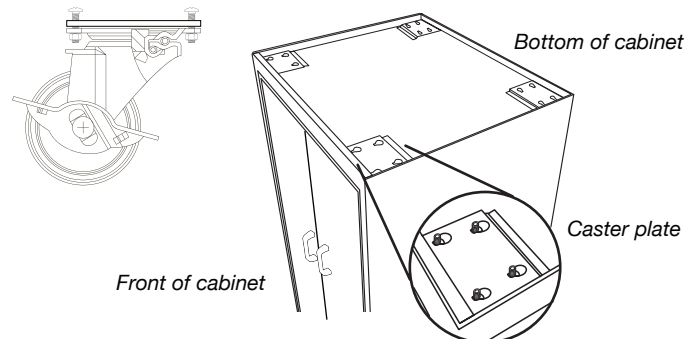
⚠ WARNING

Excessive Weight Hazard

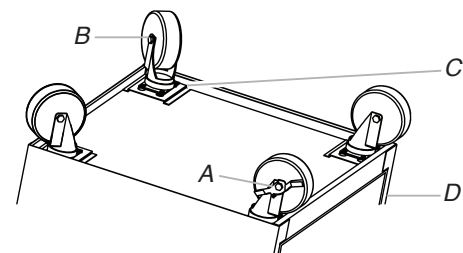
Use two or more people to move, assemble or install cabinet.

Failure to do so can result in back or other injury.

1. Close the cabinet doors.
2. Using two or more people, lay the cabinet on its side with the bottom facing your work area. Be careful the doors do not swing open when moving or proceeding with caster installation.
3. Preassemble the screw and nut to the caster.
4. Insert the carriage flat-head bolts into the keyhole slots and slide the bolts into place as shown.



5. Position the two rigid casters over the bolts in the front of the cabinet location, with the brakes toward the inside, and start four self-locking nuts for each caster.
6. Hold the casters in place making sure the bolts are seated in the narrow ends of the keyhole slots. Tighten the self-locking nuts with a $\frac{7}{16}$ " wrench. (*Do not overtighten*)
7. To attach the two swivel casters to the rear caster location, repeat steps 2 and 3.



A. Brake caster

B. Rear caster

C. Caster plate

D. Front of cabinet

8. Return the cabinet to its upright position.

WALL CABINET: ASSEMBLY INSTRUCTIONS

Models

GCW-2SF-BB

GCW-2SF-BR

Tools and Parts

Gather the required tools and parts before starting installation.

Tools Needed:

- $\frac{7}{16}$ " Wrench
- Phillips screwdriver

Parts Supplied:

- Screw 10-24 x $\frac{1}{2}$ " (10)

Unpack the Cabinet

NOTE: Keep the packing materials to cushion the cabinet during assembly and then dispose of/recycle all packaging materials.

1. Verify contents. See "Parts Supplied."

⚠ WARNING

Excessive Weight Hazard

Use two or more people to move, assemble or install cabinet.

Failure to do so can result in back or other injury.

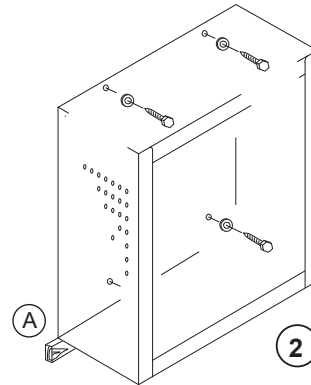
2. Wall Mounting

The hardware used to secure the cabinet may vary depending on the type of wall and spacing of wall supports. Please contact your local hardware retailer for fastening hardware.

These instructions provide a general guideline for hanging the cabinet. Fastening hardware is included for wood frame wall construction.

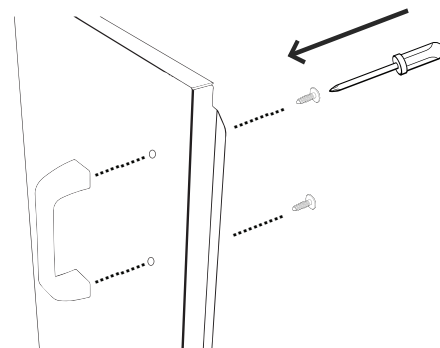
The cabinet should be mounted flush and level on the wall. You must use the top 2 mounting pre-drilled holes when securing the cabinet to the wall. We recommend using 4 mounting holes to secure the cabinet.

TIP: A securely fastened cleat (A) mounted level and at the appropriate height will aid in mounting the cabinet.



Install the Door Handles

1. Open the doors.
2. Insert Phillips head screws through the pre-drilled holes in door.
3. Align door handles with screws and tighten. (*Do not overtighten*)
4. Repeat this procedure for the other door handle.



FLOOR LOCKING CABINET: ASSEMBLY INSTRUCTIONS

Models

GCL-2SF-BB
GCL-2SF-BR

Tools and Parts

Gather the required tools and parts before starting installation.

Tools Needed:

- $\frac{7}{16}$ " Wrench

Parts Supplied:

- Key and backup key (2)
- 8-32 x $\frac{1}{2}$ " screw (10)
- 8-32 x nut (10)
- $\frac{1}{4}$ " x 1- $\frac{1}{2}$ " lag screw (4)
- Washers (4)

Unpack the Cabinet

NOTE: Keep the packing materials to cushion the cabinet during assembly and then dispose of/recycle all packaging materials.

1. Verify contents. See "Parts Supplied."

⚠ WARNING

Excessive Weight Hazard

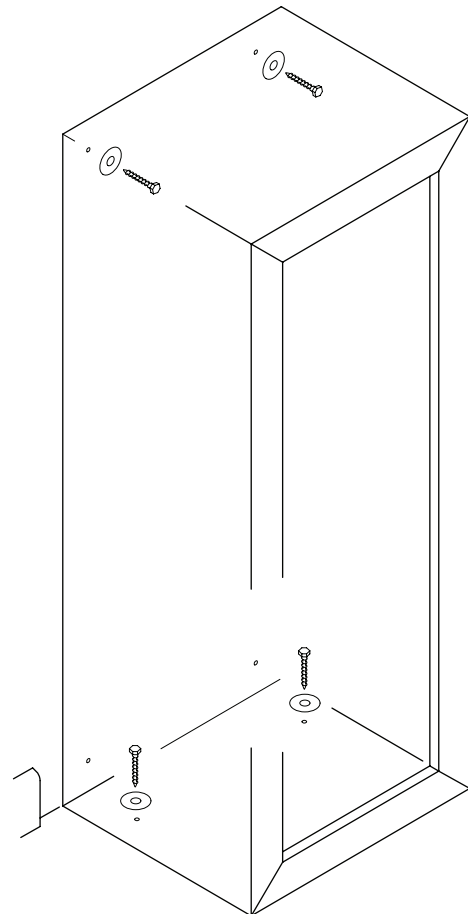
Use two or more people to move, assemble or install cabinet.

Failure to do so can result in back or other injury.

NOTE: This cabinet must be mounted and secured to wall studs in the top pre-drilled holes in the back of the cabinet so that it is anchored to the wall studs in two locations. The cabinet must also be mounted to the floor. Failure to do so will compromise the safety and security of the cabinet. Use the hardware provided or consult your hardware retailer for fastening hardware for your particular mounting surfaces.

Drill (2) $\frac{3}{16}$ " pilot holes into the wall studs lining up with the top (2) mounting holes in the back of the cabinet. Secure the cabinet to the wall using (2) lag bolts and washers.

Drill (2) pilot holes and secure the cabinet bottom to the floor with (2) lag bolts and washers.





LIMITED ONE YEAR WARRANTY STEEL GARAGE CABINETS

Stack-On® Steel Garage Cabinets, are warranted to be free from defects in material and workmanship for a period of one (1) year from the date of original purchase by a consumer. This warranty extends to the initial consumer only.

If you believe there is a defect in material or workmanship in your Steel Garage Cabinets, during the one-year warranty period, please contact our customer service department, by regular mail or email at the address listed below, and include with your correspondence proof of purchase information and the model number of the product.

Cannon Security Products
2895 W. Capovilla Ave, Suite 140
Las Vegas, NV 89119
customerservice@stack-on.com
1-847-665-1602

If Stack-On is properly notified during the one-year warranty period and, after inspection confirms there is a defect, Stack-On will, at its sole option, provide repair parts or exchange the product at no charge, or refund the purchase price of the product.

THIS WARRANTY DOES NOT COVER ANY PRODUCT, OR ANY PART OF ANY PRODUCT, WHICH HAS BEEN SUBJECT TO EXCESSIVE USE, ACCIDENT, NEGLIGENCE, ABUSE OR MISUSE, INCORRECT MAINTENANCE, ALTERATION OR REPAIR BY ANYONE OTHER THAN STACK-ON. IN ADDITION, THIS WARRANTY DOES NOT COVER ANY ACCESSORIES OR PARTS USED WITH OR IN THE PRODUCT, WHICH ARE NOT INCLUDED WITH THE ORIGINAL PURCHASE.

THIS WARRANTY IS EXCLUSIVE AND EXPRESSLY IN LIEU OF ALL OTHER WARRANTIES EXPRESSED OR IMPLIED INCLUDING THE WARRANTIES OF MERCHANTABILITY AND FITNESS FOR A PARTICULAR PURPOSE, WHICH ARE HEREBY DISCLAIMED AND EXCLUDED. STACK-ON SHALL NOT BE SUBJECT TO ANY OTHER OBLIGATIONS OR LIABILITIES. STACK-ON NEITHER ASSUMES NOR AUTHORIZES ANY OTHER PERSON TO ASSUME FOR IT, ANY OTHER LIABILITY IN CONNECTION WITH THE SALE OF STACK-ON'S STEEL GARAGE CABINETS.

STACK-ON WILL NOT, UNDER ANY CIRCUMSTANCES, BE LIABLE TO THE INITIAL CONSUMER FOR ANY INCIDENTAL, CONSEQUENTIAL, SPECIAL, EXEMPLARY, OR PUNITIVE DAMAGES ARISING OUT OF THE PURCHASE OR USE OF ANY STACK-ON STEEL GARAGE CABINETS.

STACK-ON'S LIABILITY FOR ANY BREACH OF THIS WARRANTY SHALL BE LIMITED EXCLUSIVELY TO REPAIR OR REPLACEMENT OF THE DEFECTIVE PRODUCT, AS DESCRIBED ABOVE, OR A REFUND OF THE PURCHASE PRICE OF THE PRODUCT.

IN NO EVENT SHALL STACK-ON'S OBLIGATION UNDER THIS WARRANTY EXCEED THE PRICE OF THE PRODUCT. THIS WARRANTY GIVES YOU SPECIFIC LEGAL RIGHTS. YOU MAY ALSO HAVE OTHER RIGHTS WHICH VARY FROM STATE TO STATE.